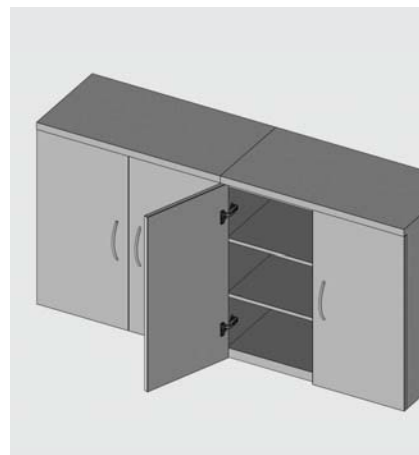


hinge systems

Star Push-Open Reverse Spring Hinge



- Opening Angle : 110°
- Cup Diameter : 35 mm
- Cup Depth : 11,2 mm
- Hinge Body : Steel
- Hinge Cup : Steel
- Crank Type : 0-9-18 mm
- Finish : Nickel
- Depth Adj. : ±3 mm
- Packaging : 250 Pieces



Cranking Crank 0	
Code List According to Cup Connection Types	
DEFINITION	CODE
45 Axis	10170011
45 Axis Ø8 Dowel	101700111
45 Axis Ø10 Dowel	101700112
45 Axis Euro Screw	101700113
45 Axis Spax Screw	101700114
48 Axis	10170012
48 Axis Ø8 Dowel	101700121
48 Axis Ø10 Dowel	101700122
48 Axis Euro Screw	101700123
48 Axis Spax Screw	101700124
52 Axis	10170013
52 Axis Ø8 Dowel	101700131
52 Axis Ø10 Dowel	101700132
52 Axis Euro Screw	101700133
52 Axis Spax Screw	101700134

Cranking Crank 9	
Code List According to Cup Connection Types	
DEFINITION	CODE
45 Axis	10170021
45 Axis Ø8 Dowel	101700211
45 Axis Ø10 Dowel	101700212
45 Axis Euro Screw	101700213
45 Axis Spax Screw	101700214
48 Axis	10170022
48 Axis Ø8 Dowel	101700221
48 Axis Ø10 Dowel	101700222
48 Axis Euro Screw	101700223
48 Axis Spax Screw	101700224
52 Axis	10170023
52 Axis Ø8 Dowel	101700231
52 Axis Ø10 Dowel	101700232
52 Axis Euro Screw	101700233
52 Axis Spax Screw	101700234

Cranking Crank 18	
Code List According to Cup Connection Types	
DEFINITION	CODE
45 Axis	10170031
45 Axis Ø8 Dowel	101700311
45 Axis Ø10 Dowel	101700312
45 Axis Euro Screw	101700313
45 Axis Spax Screw	101700314
48 Axis	10170032
48 Axis Ø8 Dowel	101700321
48 Axis Ø10 Dowel	101700322
48 Axis Euro Screw	101700323
48 Axis Spax Screw	101700324
52 Axis	10170033
52 Axis Ø8 Dowel	101700331
52 Axis Ø10 Dowel	101700332
52 Axis Euro Screw	101700333
52 Axis Spax Screw	101700334

Screw Options

Ø3,5x16 mm Chipboard Screw



Spax Screw



Euro Screw



Ø8-10 mm Plastic Dowel



Page Directions

Mounting Plates

Page 162

Mechanisms

Page 168, 169, 170, 171, 172, 173

Distances

Page 174, 175

Decorative Covers

Page 176

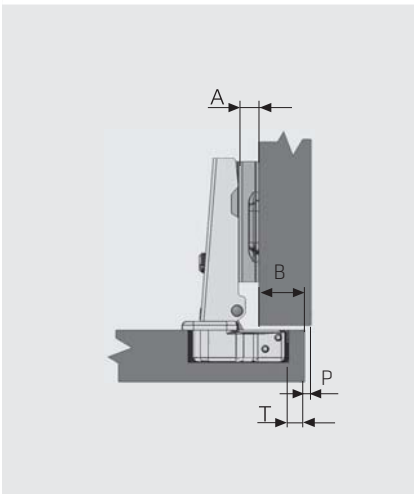
Assembly

Page 180

Dimension Charts and Symbols

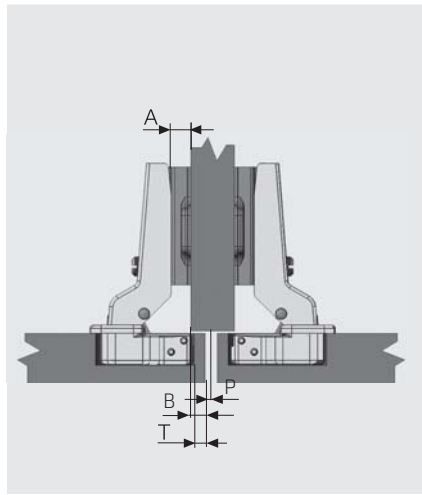
Page 182

Cranking Crank 0



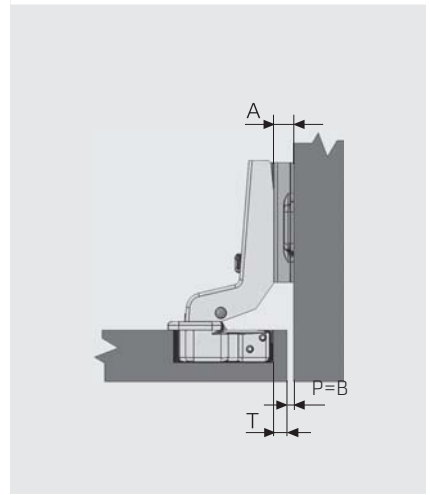
		A - Mounting Plate		
		5	7	9
B - Overlay	12			3
	13			4
	14		3	5
	15		4	6
	16	3	5	7
	17	4	6	
	18	5	7	
	19	6		
	20	7		
			T - Cup Distance	

Cranking Crank 9



		A - Mounting Plate			
		5	7	9	
B - Overlay	3			3	
	4			4	
	5		3	5	
	6		4	6	
	7	3	5	7	
	8	4	6		
	9	5	7		
	10	6			
	11	7			
			T - Cup Distance		

Cranking Crank 18

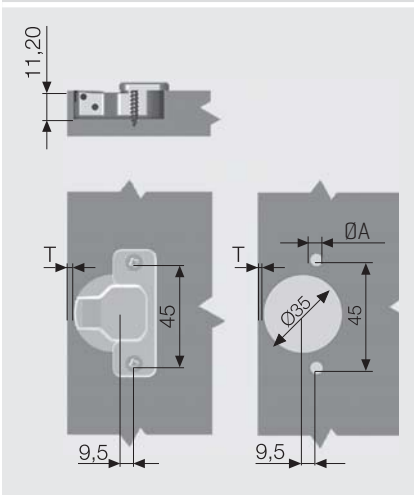


		A - Mounting Plate			
		5	7	9	
B - Overlay	6			3	
	5			4	
	4		3	5	
	3		4	6	
	2	3	5	7	
	1	4	6		
	0	5	7		
			T - Cup Distance		

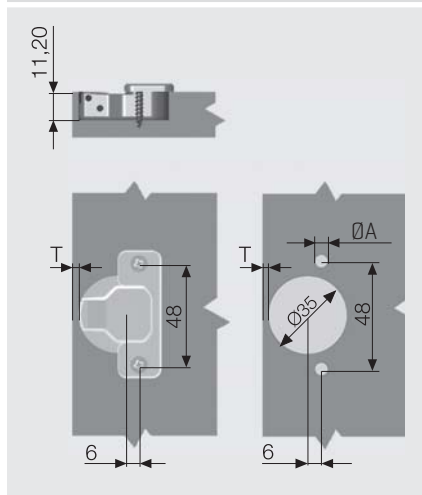
Min. Reveal for Doors [P]

K	16	17	18	19	20	21	22	23	24	25	26
T=3	0.71	0.96	1.27	1.63	2.05	2.56	3.17	3.89	4.67	5.49	6.34
T=4	0.68	0.92	1.21	1.55	1.95	2.41	2.95	3.59	4.30	5.07	5.88
T=5	0.65	0.89	1.17	1.49	1.86	2.29	2.78	3.35	4.00	4.71	5.47
T=6	0.63	0.86	1.12	1.43	1.78	2.18	2.64	3.16	3.76	4.41	5.13
T=7	0.61	0.83	1.08	1.38	1.71	2.09	2.52	3.01	3.56	4.16	4.83

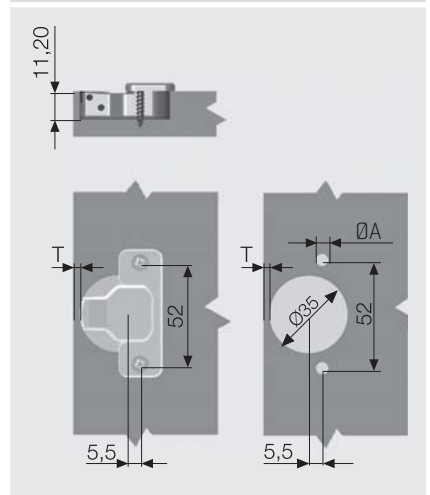
Cup Dimensions 45 mm



Cup Dimensions 48 mm



Cup Dimensions 52 mm



ØA [mm] = Chipboard and Spax Screw; Ø2,5x5 / Euro Screw; Ø5x12 / [Ø8-Ø10] Dowel; [Ø8-Ø10]x12